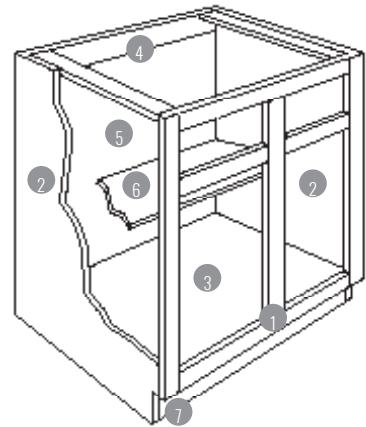
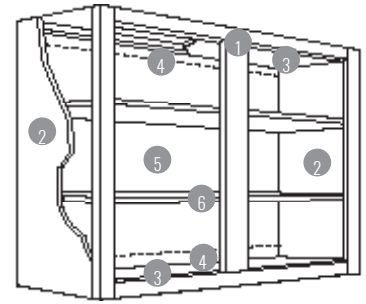


## Framed Construction

- 1 FRONT FRAME – 3/4" thick kiln dried solid hardwood. Pocket screw construction frame joinery reinforced with glue and nail. Stiles 1 1/2" wide. Mulls 3" wide. Rails 1 1/2" wide. Stiles dadoed to receive ends.
- 2 END PANELS – Standard: Nominal 1/2" (12mm) thick wood based composite panel with matching laminate exterior surfaces. Cabinets will come with light maple laminate interiors. All end panels are inserted into dado in face frame and recessed 3/16". Upgrade: Nominal 1/2" (12mm) thick multi-ply hardwood plywood with maple veneer on exterior surface and birch veneer on interior surface. All end panels are constructed with the same dado joinery as above and are recessed 3/16".
- 3 TOP/BOTTOM PANELS – Nominal 1/2" (12mm) thick wood based composite panel with maple grained and interior surfaces for wall cabinets and interior surface for base cabinets. Bottoms are supported at rear of base cabinet by nominal 1/2" (12mm) thick wood base composite panel, inserted into end panel dado.
- 4 HANGING RAILS – Wall cabinets have nominal 1/2" (12mm) thick x 3 1/2" wood based composite panel hanging rail running full cabinet width at top and bottom. Base cabinets have nominal 1/2" (12mm) thick x 3 1/2" high wood based composite panel hanging rail running full cabinet width at top. Hanging rails are captured between end panels recessed behind back panel for Wall cabinets and in front of back panels for Base and Tall cabinets. Tall cabinets have nominal 1/2" (12mm) thick x 3 1/2" wood based composite panel hanging rail running full cabinet width at top.
- 5 BACK PANEL – Nominal 1/8" (3mm) thick hardboard with maple grained interior surface. Securely glued and stapled to end panels and hang rails. Back panels are fully captured on wall cabinets.
- 6 SHELVES – Nominal 1/2" (12mm) thick wood based composite panel with maple grained laminate on both faces and matching edge-band on facing edge. Shelves are adjustable in all standard wall cabinets and fixed in base cabinets.
- 7 TOE KICK – Nominal 1/2" (12mm) thick unfinished wood based composite panel captured between end panels. Toe kick is 4 1/2" high and recessed 4 1/2".



**DRAWERS** – Standard: Nominal 1/2" (12mm) wood based composite panel front, back, and sides with butt construction. Drawer bottoms a Nominal 1/8" (3mm) thick hardboard with maple grain, inserted and glued into dado in front, back and sides.

**DRAWER GUIDES** – High-quality epoxy coated steel, Cushion-Tec™, side mounted guides, self-adjusting in mounting brackets. Built-in stop, self-closing and stay-closed features with a 100 lb. rated load capacity.

**DOVETAIL DRAWER (upgrade only)** – Front, back and sides are 5/8" (16mm) thick solid birch hardwood with dovetail construction. Drawer bottoms a Nominal 1/8" (3mm) thick hardboard with maple grained inserted and glued into dado in front, back and sides.

**SOFT-CLOSE UNDERMOUNT DRAWER GUIDE (deluxe upgrade with dovetail drawer only)** – High-quality steel, undermount construction provides full drawer access. Self-adjusting in mounting brackets. Built-in stop, self-closing, and stay closed features with a 75 lb. rated load capacity. Provides soft-close feature that helps reduce drawer slamming. Drawers are full extension, self-adjusting in mounting brackets. Built-in stop, self-closing, and stay closed features with a 100 lb. rated load capacity.

**HINGES** – Standard: Heavy-duty, high-quality steel, concealed 2-way adjustable hinge with self-closing feature. Upgrade: Gentle-Touch (soft-close) Hinge: Heavy-duty, high-quality steel, concealed 6-way hinge with soft close resistance.

**FINISH** – Furniture quality protective finish system on doors, drawer fronts, front frames, and veneer plywood end panels consisting of sanding, stain, catalyzed sealer and catalyzed clear top coats.

Contact your sales representative for information on NAUF options.

NOTICE: The product specifications appearing herein supersede and cancel all previous sheets, supplements and addenda, and represent current manufacturing standards and procedures.

Master WoodCraft Cabinetry reserves the right to make specification changes for continued product improvement.

For aesthetic considerations the furniture and cabinet industries have made veneer on composite panel substrate the standard method of construction for raised panel-in-frame doors in some wood species. Within the Master WoodCraft Cabinetry product line, those species include oak, birch, and maple.